



PRODUCT CATALOGUE

Aritco 7000, 4000 and 2000 series
Platform & home lifts



Aritco platform and home lifts – your safest choice!

This catalogue is primarily made for all our partners around the world. The purpose is to show what Aritco can offer in terms of products, options and possible combinations.

The document is another result of the on-going efforts to continuously improve performance and support towards our partners and customers.

Some highlights:

LEAD-TIME

Normal lead-time for a standard product is less than 3 weeks. During July and August, the lead-time can be slightly higher. Some options have a longer lead time – which is clearly communicated in the ordering system (AOS).

95% DELIVERY ACCURACY OF PRODUCTS

During more than 1 year, we have had a delivery accuracy of more than 95%, i.e. we have delivered within the agreed delivery week.

DELIVERY ACCURACY OF SPARE PARTS

If the spare part order is received before 11.00 a.m. the aim is to deliver the same day. Again – for more than 1 year we have had an accuracy of more than 95%.

PRODUCT QUALITY

This is a focus area for constant improvements. All Non Conformity Reports (NCR's) from our partners are registered and dealt with. The entire NCR file is presented on the partner desktop. Here it is possible to follow specific reports as well as trends etc. The file is open for all our Partners at all times.

ARITCO PARTNER DESKTOP

Our web site www.aritco.com is the centre for all our information and communication. Make sure you have a log-in to the Partner Desktop. If you do not have one, just contact your sales representative. On the Partner Desktop you will find, among others, this product catalogue, pricelists, technical documentation, picture gallery, news etc – always up to date.

Aritco 7000

Introduction	3
Platforms	4
Outdoor execution	7
Door	9
Shaft	16
Communication	18
Miscellaneous	19

Glass panels	40
Order information	40
Platform measurements	41

Aritco 4000

Introduction	20
Platforms	21
Door	24
Shaft	28
Communication	30
Miscellaneous	31

Aritco 2000

Introduction	32
Platforms	33
Door	35
Shaft	37
Communication	38
Miscellaneous	39

Due to continual product development, specifications are subject to change without notice.

With reservations for misprint and articles out of stock.

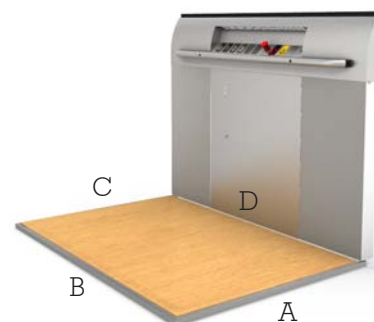


Inspired in design, comfort and simplicity, the 7000 series offer a range of extraordinary possibilities. We combine creativity, technical know-how and professional commitment for an exceptional construction and lifelong durability. All of our platform lifts comply with European standards and regulations.

Aritco 7000 series lift is designed to fit into any environment and suit any project. It is our most versatile platform lift, tailored to meet selected needs and tastes. You have the choice of a variety of functional features and interior/exterior design options. Platform sizes, glass modules, a range of colours, stainless steel details and spotlights are just some of the many alternatives to choose from. Installation requires just a few days.

Platform

The platform is the floor of the lift and is in its basic execution delivered with a side wall (half height) including the control panel. For a more conventional lift look there is an option for a full height console. There are 7 different platform sizes to choose from to suit needs or space restriction. The faceplate includes LED lightening, emergency signal button and emergency stop. Panels are painted in RAL 9003 structure (Aritco white) as standard. For shaft- and structural opening measurements, see appendix from page 41.



Platform A/C x B (mm)	Travel height ¹⁾ (mm)	Speed, max (m/s)	Max load (kg)	Wheelchair according to prEN81-41	400V 3-phase	400V 3-phase 60Hz	230V 3-phase	230V 1-phase
900 x 1280	250 - 13000	0,15	410	✓ ²⁾	✓	✓	✓	✓
900 x 1480	250 - 13000	0,15	500	✓ ³⁾	✓	✓	✓	✓
1000 x 1280	250 - 13000	0,15	410	✓ ²⁾	✓	✓	✓	✓
1000 x 1480	250 - 13000	0,15	500	✓ ³⁾	✓	✓	✓	✓
1000 x 1980	250 - 13000	0,15	500	✓ ³⁾	✓	-	✓	-
1100 x 1480	250 - 13000	0,15	500	✓ ³⁾	✓	✓	✓	✓
1100 x 1580	250 - 13000	0,15	500	✓ ³⁾	✓	✓	✓	✓

¹⁾ Travel height when using a half door is maximum 3000 mm

²⁾ Room for wheelchair type A

³⁾ Room for wheelchair type A & B with assistant

Load limits per power supply	400V 3-phase	400V 3-phase 60Hz	230V 3-phase	230V 1-phase
410 kg	✓	✓	✓	✓
500 kg	✓	-	✓	-

OPTIONS

Platform size A/C x B (mm)	Full height consol panels ¹⁾ min 2200 (mm)	Half height consol with panels in stainless steel	Panels painted in optional RAL colour	Outdoor execution ²⁾
900 x 1280	-	-	✓	✓
900 x 1480	-	-	✓	✓
1000 x 1280	-	-	✓	✓
1000 x 1480	✓	✓	✓	✓
1000 x 1980	-	-	✓	✓
1100 x 1480	✓	✓	✓	✓
1100 x 1580	-	-	✓	✓

¹⁾ The full height consol comes with a mirror with LED lightening above as standard. The full height consol is not available in stainless steel.

²⁾ For specifications, options and limitations, see page 7.



Platform OPTIONS

STEEL KERB

Protects the lower part of the platform. Kerb on all sides, except the door side.
Height: 80 mm

PLATFORM FACEPLATE

The faceplate contains the destination buttons, emergency stop, alarm button, safeline (option), company logo, max weight and number of persons allowed. User instructions are available in following languages: Catalan, Czech, Danish, Dutch, English, Finnish, French, German, Greek, Hungarian, Icelandic, Lithuanian, Norwegian, Polish, Portuguese, Russian, Spanish, Swedish and Turkish.



All text and logos are screened to ensure good quality.
On request an individual logo can be screened on the faceplate.

- Aluminium
- Stainless steel

FACEPLATE PANEL

The faceplate panel in welded brushed aluminium gives a soft finish to the platform.
To prevent any trapping, a security list is mounted behind the faceplate panel which cuts off the security circuit when pressed down.



EMERGENCY STOP BUTTON

Button in “mushroom” type for emergency situations.



FOLD DOWN SEAT

In solid birch and with chromed brackets.
The seat has to be folded back manually after use.
Size: 320 x 400 mm



RAMP

For easier access to platforms without pit.
In corrugated aluminum to prevent slipping.
Available for all platform sizes.
All platforms can be prepared for pit without ramp or otherwise directly on the floor/ground for adding a ramp.



KEY SWITCH

Locks the platform functions and prohibits unauthorized use. Two brands to choose from:
– ASSA (Nordic markets only). Aritco does not deliver the locking cylinder but only the housing.
– Telemecanique (2-ways, not retractive)

Aritco can provide one key switch per platform. The key switch can be serial connected to the emergency stop or to one or more buttons.



ASSA

Telemecanique

Aritco 7000 – platform

HANDRAIL

The handrail is mandatory according to the EN 81-41 standard.

- Aluminium
- Stainless steel



MIRROR

Only for full height console.

Size: 75 x 90 mm

DESTINATION BUTTON

Buttons are all in line with the standard EN 81-70 for disabled.

Standard buttons are always engraved. Buttons 0 - 3 can also be molded. But if additional buttons are ordered along with the 0 - 3 buttons, they will all be delivered as engraved. Individual special characters are always delivered engraved. Maximum 2 individual characters can be ordered.

Numbers	Letters
0	-2
1	-1 B
2	0 BG
3	1 BV
	2 G
	3 K
	4 KV
	5 P
	6 U
	E



Other numbers and text can be ordered at additional cost

LANDING INDICATOR

Digital display positioned at the platform faceplate. The indicator can also be fitted with a voice announcer which is available in Danish, Dutch, English, Finnish, French, German, Norwegian, Polish and Swedish.

The landing indicator can also show information from the system.

- Warning if the batteries are low.
- A bell when the alarm button has been pressed.
- Number of starts and total run time since installation or since last reset.
- A weight symbol will appear if the lift is overloaded.
- "Fire" is shown when a fire alarm is activated in the building.



FLOORING

Vinyl, rubber, aluminium or simply no flooring at all. Choose between 9 different colours:



5710 - Grey



5660 - Blue



5620 - Beige



5630 - Sand



3280 - Classic Beech



3340 - European Oak



Aluminium



Black rubber



Blue rubber

The platform is prepared for other types of floors with maximum thickness of 3 mm without any modifications.

Outdoor execution

EXTERIOR VECTOR is designed for outside use and equally suited to cool northern conditions as well as hot sunny climates. Typically installed at offices, schools and apartment buildings, the lift can be accustomed with any number of different options, materials and wall colours so that it can blend right into the environment.

The outdoor execution consists of different options that enable an outdoor installation. All outdoor lifts are delivered with yellow chromate guides to avoid corrosion. Depending on the installation environment different options must be used to avoid water leakage. If water leaks in due to lack of necessary equipment or if the lift has been installed in wrong conditions, Aritco reserves the right to deny warranty claims. For more information please contact your Aritco sales representative.

- Top roof with listings. One corner open for water outlet. (All joints to be sealed with sealing paste).
Included in delivery
- Ceiling with lightning
- Upper panel with fan holes
- Bottom panel with ventilation holes
- Cabinet cover sealed
- Cladded machine side
- Door canopy

Available for platform sizes	Yellow chromate guides	Roof	Ventilation fan	Heater	Door canopy
900 x 1280	✓	-	-	✓	✓
900 x 1480	✓	-	-	✓	✓
1000 x 1280	✓	-	-	✓	✓
1000 x 1480	✓	✓	✓	✓	✓
1000 x 1980	✓	-	-	✓	✓
1100 x 1480	✓	✓	✓	✓	✓
1100 x 1580	✓	-	-	✓	✓

Ei60 fire & smoke proof doors must not be installed outside, since they do not have any corrosion protection and are sensitive for humidity.

Conditions for installation:

- Environment temperature max + 35° down to -5°C.
- Installation is not recommended in salt or chlorine enhanced environment.
- Snow load is max 2kN/m². Snow-load zone as in EN 1991-1-3.
- Protection against wind-loads over 10m/s is required.
- If the lift is installed outside and rain can reach the machine side, a machine side cladding must be used.
- A specially oil, aimed for outdoor usage must be used.
- To avoid water leakage, all joints on top roof are to be sealed after installation.
- The pit must be drained and also protected from freezing.
- If the lift is going to be installed in colder climate than -5°C, an externally shaft must be built that is heated.



Outdoor execution OPTIONS

DOOR CANOPY

A sloping roof placed above each door at outdoor execution. Galvanized and painted in RAL 9003 (Aritco white) as standard. If the platform panels are painted in another RAL colour, the door canopy will automatically have the same colour as the panels.

Width: 1160 mm.

Slope angle: 23°

Depth: 450 mm



ROOF

For outdoor execution, platform sizes 1480 x 1000 and 1480 x 1100. The roof has plugged holes in each corner which can be easily unplugged when deciding where the water shall drain.

VENTILATION FAN

Removes moisture and heat from the shaft. Recommended for damp and hot environments.

The fan is mounted in the top of the shaft on a plate with holes. The fan can only be used together with 1000 x 1480 and 1100 x 1480 platforms.



HEATER

The heater of 2000W is placed at the bottom of the shaft. Requires an external power connection.

Recommended for colder environments.



Door

The Aritco lift door is made of toughened galvanized steel and laminated glass, 8 mm. All doors are prepared with holes for door handle but can be ordered without holes at additional cost for customers who want to use their own handrails. All doors can be left- or right hinged. All doors include a door frame. It is not possible to order the door or the frame separately.

DOOR LARGE GLASS

The standard door with a clear glass is painted in RAL 9003 Structure (Artico white) as standard. But we offer the possibility to have the blade, frame or both painted in the RAL colour of your choice or have the door in stainless steel at additional cost. The glass can be ordered dark tinted (JT5), light tinted (JT16) or frosted (JT23) at additional cost.

Large glass doors are available in three widths; 800, 900 and 1000 mm with glass size: 660 x 1520, 760 x 1520 and 860 x 1520. There are four different heights to choose from; 1800, 1900, 2000 and 2100 mm. The height measure is the door opening height. The actual height of the door is 40 mm higher since a plate that covers the joint between the door and the frame is mounted on the door.

Measures (mm)	Available for B-side measure (mm)	Available for A/C side measure (mm)	Optional RAL colour ¹⁾ /stainless steel
800 x 1800	-	900	✓
800 x 1900	-	900	✓
800 x 2000	-	900	✓
800 x 2100	-	900	✓
900 x 1800	1280/1480/1580/1980	1000/1100	✓
900 x 1900	1280/1480/1580/1980	1000/1100	✓
900 x 2000	1280/1480/1580/1980	1000/1100	✓
900 x 2100	1280/1480/1580/1980	1000/1100	✓
1000 x 2000	1280/1480/1580/1980	1100	✓
1000 x 2100	1280/1480/1580/1980	1100	✓

¹⁾ The door can be painted in any RAL colour at additional cost.

DOUBLE GLASS DOOR

Door with two panels in clear glass.

Measures (mm)	Available for A/C-side (mm)	Available for B-side (mm)	Clear glass JT0 ¹⁾ (standard)	Optional RAL ²⁾ colour/stainless steel
800 x 2000	900	-	✓	✓
900 x 2000	1000/1100	1280/1480 1580/1980	✓	✓

¹⁾ The glass can be tinted (JT16 or JT5) or frosted (JT23) at additional cost.

²⁾ The door can be painted in any RAL colour at additional cost.



Aritco 7000 – door

DOUBLE-HINGED GLASS DOORS

The double-hinged glass doors are made of 17,5 mm laminated glass and always delivered with two internal door openers with an adjustable opening speed. The doors are available with different types of glass. Clear glass (JT0) is standard but there is also the option of dark tinted (JT5), frosted (JT23) or light tinted (JT16).

The profiles around the glass are painted in RAL 9007.

Available for platforms with A/C side of 1000/1100.

Door width: 900 mm

Door height: 2000 mm.

Measures (mm)	Available for A/C side measures	Available for B-side (mm)
900 X 2000	1000/1100	-



HALF HEIGHT DOOR WITH GLASS

If you require an open shaft or if the head space is low, the use of a half size door may be a good solution. The half height door can not be combined with EI60 fire and smoke proof doors. Door widths available are 800 and 900 mm with a minimum height of 1100 mm and maximum 1600. The door is only allowed for lifts with a travel height up to 3 metres (within EU).

Measures (mm)	Available for A/C-side (mm)	Available for B-side (mm)	Door in RAL 9003 structure/Aritco white, standard ¹⁾	Clear glass ²⁾ (JT0), standard	Optional RAL colour/stainless steel
800 x 1100	900	-	✓	✓	✓
800 x 1100 - 1600 (customed height)	900	-	✓	✓	✓
900 x 1100	1000/1100	1280 / 1480	✓	✓	✓
900 x 1100 - 1600 (customed height)	1000/1100	1480	✓	✓	✓

¹⁾ The door can be painted in optional RAL colour at additional cost.

²⁾ The glass can be ordered in light tint (JT16), dark tint (JT5) and frosted (JT23) at additional cost.

When using a customed height half door, consider the following criteria regarding travel height.

If the door on first level has a ramp, the total travel height can vary.

Door opening height (mm)	Travel height when a ramp on first level (mm)	Travel height with a pit on first level (mm)
1800	490 – 990	440 – 990
1900	590 – 1090	540 – 1090
2000	690 – 1190	640 – 1190
2100	790 – 1290	740 – 1290



EI60 – FIRE & SMOKE PROOF DOOR

Complies with the lift directive 95/16/EC and EN 81-58.

The EI60 door is available in three different widths; 800, 900 and 1000 mm and in all full height sizes. For platform sizes: 900 x 1280, 900 x 1480, 1000 x 1280, 1000 x 1480, 1000 x 1980 and 1100 x 1480.

A widening panel is available for 1800, 1900, 2000 and 2100 mm high doors. The extra panel is also available with a hatch on A or C side to cover the electrical cabinet and via the hatch have access to the cabinet.



Measures (mm)	Available for B-side measure (mm)	Available for A/C side measure (mm)	Optional RAL colour/ stainless steel
800 x 1800	-	900	✓
800 x 1900	-	900	✓
800 x 2000	-	900	✓
800 x 2100	-	900	✓
900 x 1800	1280/1480/1980	1000/1100	✓
900 x 1900	1280/1480/1980	1000/1100	✓
900 x 2000	1280/1480/1980	1000/1100	✓
900 x 2100	1280/1480/1980	1000/1100	✓
1000 x 2000	1280/1480/1980	1100	✓
1000 x 2100	1280/1480/1980	1100	✓

Door frames for EI60 doors 800 mm width

Platform side (mm)	Door 800 x 1800	Door 800 x 1900	Door 800 x 2000	Door 800 x 2100
900	1060 x 2020	1060 x 2120	1060 x 2220	1060 x 2320

Door frames for EI60 doors 900 mm width

Platform side (mm)	Door 900 x 1800	Door 900 x 1900	Door 900 x 2000	Door 900 x 2100
1000	1160 x 2020	1160 x 2120	1160 x 2220	1160 x 2320
1100	1260 x 2020	1260 x 2120	1260 x 2220	1260 x 2320
1280	1300 x 2020	1300 x 2120	1300 x 2220	1300 x 2320
1480	1500 x 2020	1500 x 2120	1500 x 2220	1500 x 2320

Door frames for EI60 doors 1000 mm width

Platform side (mm)	Door 1000 x 1800	Door 1000 x 1900	Door 1000 x 2000	Door 1000 x 2100
1100	1260 x 2020	1260 x 2120	1260 x 2220	1260 x 2320
1280	1300 x 2020	1300 x 2120	1300 x 2220	1300 x 2320
1480	1500 x 2020	1500 x 2120	1500 x 2220	1500 x 2320

Widening panel with or without hatch for the electrical cabinet.

Door height	Width	Height
1800	213	2020
1900	213	2120
2000	213	2220
2100	213	2320

Aritco 7000 – door

DOOR FRAME

The door frame in galvanized steel is painted in RAL 9003 (Aritco white) as standard but can be painted in any RAL colour of your choice at additional cost. Available in 6 different widths: 1060, 1160, 1260, 1300, 1500 and 2000 mm. The 900 and 1000 wide doors can on the B-side be displaced 18 cm on either side. This applies only to frame sizes 1300, 1500 and 2000 mm. Displacement is not possible for EI60 fire & smoke proof doors.

The door frame cannot be ordered separately.



DOOR FRAME MEASUREMENTS

Platform side	Door 800 x 1800	Door 800 x 1900	Door 800 x 2000	Door 800 x 2100	Door 900 x 1800	Door 900 x 1900	Door 900 x 2000	Door 900 x 2100	Door 1000 x 2000	Door 1000 x 2100
900 ¹⁾	1060 x 2040	1060 x 2140	1060 x 2240	1060 x 2340	-	-	-	-	-	-
1000 ¹⁾	-	-	-	-	1160 x 2040	1160 x 2140	1160 x 2240	1160 x 2340	-	-
1100 ¹⁾	-	-	-	-	1260 x 2040	1260 x 2140	1260 x 2240	1260 x 2340	1260 x 2240	1260 x 2340
1280 ²⁾	-	-	-	-	1300 x 2040	1300 x 2140	1300 x 2240	1300 x 2340	1300 x 2240	1300 x 2340
1480/1580 ^{2) 3)}	-	-	-	-	1500 x 2040	1500 x 2140	1500 x 2240	1500 x 2340	1500 x 2240	1500 x 2340
1980 ^{2) 3)}	-	-	-	-	2000 x 2040	2000 x 2140	2000 x 2240	2000 x 2340	2000 x 2240	2000 x 2340

¹⁾ Available for A/C side.

²⁾ Available for B side.

³⁾ Includes widening panels.

Door options

DOOR HANDLE

Follows the standard prEN 81-41

Ø: 30-45 mm

Distance between door and door handle: minimum 35 mm

- Anodised aluminium; easy to clean and keep clean: no finger prints.
- Stainless steel



DOOR FACEPLATE

The door faceplate can hold

- Call button
- Key switch Telemecanique, ASSA
- Call button & sensor
- Call button and key switch Telemecanique, ASSA

The faceplate in stainless steel gives the lift a more stylish impression, especially when combined with the stainless steel door handles. Possibility to place it at a distance from the lift.

- Aluminium (standard)
- Stainless steel.

Size: 95 x 185 mm

On request an individual logotype can be screened on the faceplate.



ASSA

Telemecanique

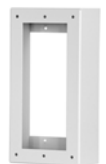
Faceplate box alternatives	Call button	Key switch ¹⁾	Call button & sensor	Call button and key switch ¹⁾
On door	✓	✓	✓	✓
In surface box	✓	✓	✓	✓
In inset box	✓	✓	✓	✓

¹⁾ ASSA, Telemecanique

EXTERNAL CALL STATION BOX

Comes as standard in RAL 9003 (Aritco white). The box can either be mounted exterior on a wall or flush mounted, next to the door or if needed on another wall as far as the length of the delivered cable which is 1.5 m.

Size: 95 x 185 x 50 mm



KEY SWITCH

When you want to have a key in order to access the lift. Includes school locking function which automatically locks the door when it closes. Two brands to choose from:

- ASSA (Nordic markets only). Aritco does not deliver the locking cylinder but only the housing.
- Telemecanique (3-ways, retractive)

Aritco can provide one key switch per door. The key switch can be serial connected to the emergency stop or to one or more buttons.



ASSA

Telemecanique

Aritco 7000 – door

CALL BUTTON

The call button comes with a background lit frame which indicates the status of the lift.

- Green light indicates that the lift is at your floor. Lights only on the floor where the platform is at the moment.
- Red light indicates that the lift is occupied. It is busy and you cannot call for it.
- The flashing light indicates that the security circuit is broken, e.g. that the emergency button is pressed, the door is open on another floor for more than one minute, the door is blocked or the safety frame is pressed down. The flashing light can also be activated by a sum alarm, more information is then available in the service memory.



RADIO CONTROLLED CALL BUTTON

The radio controlled button, placed in a plastic box, gives the customer the freedom to place the call button wherever they would like but within 10 meters from the lift. The button will run on batteries and will provide remote controlled access to the lift.

- White plastic box



LANDING INDICATOR

Digital display positioned at the door faceplate. The indicator can also be fitted with a voice announcer which is available in Danish, Dutch, English, Finnish, French, German, Norwegian, Polish and Swedish.

The landing indicator can also show information from the system.

- Warning if the batteries are low.
- A bell when the alarm button has been pressed.
- Number of starts and total run time since installation or since last reset.
- A weight symbol will appear if the lift is overloaded.
- "Fire" is shown when a fire alarm is activated in the building.



COVER PLATE

A plate that covers the hole where the door faceplate normally is placed.

The cover plate is always delivered in the same colour as the door frame. Standard is RAL 9003 structure.

Door MACHINERY

DOOR OPENER INTERNAL

Opens and closes the door automatically. It is built into the door which makes it invisible.
 Not available for outdoor execution or EI60 fire & smoke proof doors.
 Available for both left- and right hinged doors.



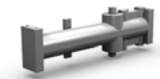
DOOR OPENER EXTERNAL

Opens and closes the door automatically for easier access.
 Available for both left- and right hinged doors.



DOOR CLOSER INTERNAL

Standard equipment.
 Closes the door automatically. It is built into the door which makes it invisible.
 Available for both left- and right hinged doors.



DOOR CLOSER EXTERNAL

Closes the door automatically.
 Not available for EI60 fire & smoke proof doors or half height doors.
 Available for both left- and right hinged doors.
 20-40 N Force is needed to open the door.
 Includes function to keep door open until the user manually closes the door.



HOLD OPEN ARM FOR DOOR CLOSER

Keeps the door open until the user manually closes the door.
 Can only be combined with external door closer.
 Not available for or EI60 fire & smoke proof doors or half height doors.



	Large glass /double glass door	Half height door	Fire & smoke proof door EI60	Double-hinged glass door
Door opener internal	✓	✓	-	✓
Door opener external	✓	✓	✓	-
Door closer internal	✓	✓	✓	-
Door closer external	✓	-	-	-
Hold open arm ¹⁾	✓	-	-	-

¹⁾ Can only be combined with external door closer.

Shaft

The shaft is the vertical enclosed space that forms the walls of the lift. Width and depth is accommodated to lift specifications. The 25 mm thick shaft panels are made of non-flammable stone wool and galvanised steel. Three sides of the lift can be fitted with 8 or 10 mm laminated glass panels. Glasses of 1472 mm height or more are always 10 mm thick. The glass is available in different tints. It can also be ordered in frosted and clear glass.

SHAFT PANELS

Height (mm)	Painted in RAL 9003 structure, standard	Painted in optional RAL colour	Stainless steel ¹⁾
575	✓	✓	✓

¹⁾ Only available for platform sizes 1000 x 1480 and 1100 x 1480.



SHAFT PANELS / GLASS WITH ALUMINIUM PROFILE

Height (mm)	Clear glass (JT0)	Dark tinted glass (JT5)	Tinted glass (JT16)	Frosted glass (JT23)
736	✓	✓	✓	✓
1472	✓	-	-	-
2208	✓	-	-	-
Customized ¹⁾	✓	✓	✓	✓

¹⁾ Additional cost per mm.



Shaft OPTIONS

MACHINE SIDE CLADDING

The machine side cladding in galvanised steel covers the backside of the machine side if the lift is not mounted against a wall. The cladding can run from bottom to top height, but can also be ordered partly if the lift is partly mounted to a wall. The cladding is painted in same colour as shaft panels.

Size: Travel height plus top height.

Size	Painted in RAL colour	Stainless steel ¹⁾
Complete	✓	✓
Partly (in mm)	✓	✓

¹⁾ Only available when the D side is 1480 mm.

INNER CEILING

Painted in same colour as shaft walls.

Available In stainless for platform sizes 1000 x 1480 and 1100 x 1480.

– With fluorescent lamp

– LED illumination. Complies with LUX regulations.



MAST

For lengths 4500 - 13000 the frame is always delivered in parts

For lengths 2500 - 4499 the frame can be delivered in parts if required.

The smallest possible length in order to split up a mast is 4660 mm (travel height 3400 mm).

Mast size (mm)	Number of parts	Length of each part (mm)
4660 – 6240	2	3750
6240 – 8730	2	4990
8730 – 12480	3	4990
> 12480	3	4990 ¹⁾

¹⁾ Plus loose guides.

ELECTRICAL CABINET

If the standard position of the electrical cabinet proves difficult we offer the option to move the electrical cabinet to another landing or to place it externally in a lockable casing.

The service panel is placed in the electrical cabinet and is used to run tests etc., and for emergency running the lift.

Standard position is on the upper floor where the door is located, but the position can be chosen by the customer.

Size: 180 x 880 mm



EXTERNAL SERVICE PANEL

Used to run system tests etc., and for emergency running the lift.

Size: 95 x 185 mm

A remote service panel is available for mounting outside the lift. In this case a wire connects it from the service panel.



SHAFT SUPPORT BRACKET

Installed around the shaft in order to stabilize it when not mounted against a wall. One shaft support bracket shall be used per floor, except the bottom floor. The bracket is painted in same RAL colour as the shaft panels. Available in two sizes – one to fit platform widths of 1280, 1480 and 1580 and one for 1980.

Communication

PHONE

The telephone works as a standard telephone but is intended for emergency calls. The phone is mounted on the platform panel. Equipped with redial memory, mute button and a lamp indicator for on/off. Can be equipped with a GSM module. Aritco does not supply SIM cards.



PHONE SOCKET

Swedish standard socket to connect your own telephone.



AUTODIALER - SAFELINE MX

Equipment for emergency calls. Integrated on the platform panel. Can be programmed with up to four numbers. Dials automatically when the alarm button is pressed. When unanswered after a predefined time, the call is automatically escalated to the next number. The autodialer can be equipped with a GSM module. Aritco does not supply SIM cards.



EXTERNAL ALARM SOUNDER

Loud signal to attract attention in case of emergency. The alarm sounder is mounted outside the lift. Activates when the alarm button is pressed.



ARRIVAL GONG

An audible signal when the platform arrives at each landing



REMOTE CONTROL

Radio controlled remote control with a range up to 25 meter. The remote control can be used either to run the platform or to activate the call button. The latter can for example be used by a receptionist who allows the use of the lift.

The remote control can include up to 6 buttons with the text 1-6. If the remote control is used to run the lift it must be connected to the platform buttons.

Number of receivers

Activating a call button: One receiver per button
Operation of platform: One receiver per two floors

Radio covers up to 6 floors.



Miscellaneous

230 VOLT 3-PHASE

If the building/site does not support 400 volt 3-phase.
Lifts up to 500 kg.

400 VOLT 3-PHASE

Delivered as standard.
Lifts up to 500 kg.

230 VOLT 1-PHASE FREQUENCY CONVERTER

If the building/site does not support 230 or 400 volt 3-phase.
The frequency converter has a built-in soft start function.
Restricted max weight is 410 kg.



SOFT START

Provides a smoother start when a landing button is pressed.
Does not apply to 230V 1-phase power supply.
Mounted in the electrical cabinet.

BATTERY OPERATED EMERGENCY LOWERING

Secures a safe travel to the nearest landing in case of power failure.
Mandatory if the position of the electrical cabinet is on an alternate landing than the top floor.



MANUAL EMERGENCY LOWERING

Standard equipment. Delivered with a winch.

AUTOMATIC LUBRICATION

Oils the driving screw at regulated time intervals even if the lift is not in use.
Standard for lifts with a travel height of over 8000 mm.





Inspired in design, comfort and simplicity, the 4000 series lifts offer a range of extraordinary possibilities. We combine creativity, technical know-how and professional commitment to ensure an exceptional construction and lifelong durability. The highest standards of quality and safety are assured.

Aritco 4000 series lift is the perfect solution for your home, giving you ease of mobility in essential style. Travelling vertically from floor to floor, the lift requires less space than a stair lift that blocks your stairs. It can be positioned almost anywhere, for example, from the garage to the hallway, or entryway to the bedroom. The lift is painted in white to blend in with most environments.

Platform

The platform is the floor of the lift and is in its basic execution delivered with a full height side wall including the control panel. The full height consol comes with LED lightening as standard. The lower panel of the full height consol can be ordered in stainless steel. There are two different platform sizes to choose from to suit needs or space restriction. All platforms can be prepared for pit without ramp or for adding a ramp.

PLATFORM SPECIFICATIONS/STANDARD

Platform size B-side x A/C-side (mm)	Travel height (mm)	Speed, max (m/s)	Max load (kg)	Panels painted in Element Magne MX 288E (standard) ¹⁾
805 x 880	250 - 13000	0,15	250 kg	✓
805 x 1080	250 - 13000	0,15	250 kg	✓

¹⁾ Panels can be painted in any RAL colour at additional cost.

Platform OPTIONS

PLATFORM FACEPLATE

The faceplate contains the destination buttons, emergency stop, alarm button, safeline (option), company logo, max weight and number of persons allowed. User instructions are available in following languages: Catalan, Czech, Danish, Dutch, English, Finnish, French, German, Greek, Hungarian, Icelandic, Lithuanian, Norwegian, Polish, Portuguese, Russian, Spanish, Swedish and Turkish.

All text and logos are screened to ensure good quality.
On request an individual logo can be screened on the faceplate.

- Aluminium
- Stainless steel

FACEPLATE PANEL

The faceplate panel in welded brushed aluminium gives a soft finish to the platform.
To prevent any trapping, a security list is mounted behind the faceplate panel which cuts off the security circuit when pressed down.



RAMP

For easier access to platforms without pit.
In corrugated aluminium to prevent slipping.
Available for all platform sizes.
All platforms can be prepared for pit without ramp or otherwise directly on the floor/ground for adding a ramp.



Aritco 4000 – platform

KEY SWITCH

Locks the platform functions and prohibits unauthorized use. Includes school locking function which automatically locks the door when it closes. Two brands to choose from:

- ASSA (Nordic markets only). Aritco does not deliver the locking cylinder but only the housing.
- Telemecanique (2 ways, not retractive)

Aritco can provide one key switch per platform. The key switch can be serial connected to the emergency stop or to one or more buttons.



ASSA



Telemecanique

FOOT BOX

A hole in the platform panel, which adds a little bit of extra room at the bottom of the platform panel.



HANDRAIL

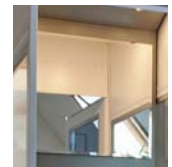
The handrail is mandatory according to the EN 81-41 standard.

- Aluminium
- Stainless steel



SQUARE MIRROR

Size: 75 x 60 mm



DESTINATION BUTTON

Buttons are all in line with the standard EN 81-70 for disabled.

Standard buttons are always engraved. Buttons 0 - 3 can also be molded. But if additional buttons are ordered along with the 0 - 3 buttons, they will all be delivered as engraved. Individual special characters are always delivered engraved. Maximum 2 individual characters can be ordered.

Numbers	Letters
0	-2
1	-1 B
2	0 BG
3	1 BV
	2 G
	3 K
	4 KV
	5 P
	6 U
	E



Other numbers and text can be ordered at additional cost

LANDING INDICATOR

Digital display positioned at the platform faceplate. The indicator can also be fitted with a voice announcer which is available in Danish, Dutch, English, Finnish, French, German, Norwegian, Polish and Swedish.



The landing indicator can also show information from the system.

- Warning if the batteries are low.
- A bell when the alarm button has been pressed.
- Number of starts and total run time since installation or since last reset.
- A weight symbol will appear if the lift is overloaded.
- “Fire” is shown when a fire alarm is activated in the building.

FLOORING

Vinyl, rubber, aluminium or simply no flooring at all. Choose between 9 different colours:



5710 - Grey



5660 - Blue



5620 - Beige



5630 - Sand



3280 - Classic Beech



3340 - European Oak



Aluminium



Black rubber



Blue rubber

The platform is prepared for other types of floors with maximum thickness of 3 mm without any modifications.

Door

The Aritco lift door is made of toughened galvanized steel and laminated glass, 8 mm thick. We offer the possibility to have the door, frame or both painted in the colour of your choice. The standard door is delivered with a large tinted (JT16) laminated 8 mm thick safety glass and the door blade is painted in "Artico white"/RAL 9003 Structure. All doors are prepared with holes for door handle but can be ordered without holes. All doors can be left- or right hinged. The door is available in two widths; 800 and 900 mm and in three different heights; 1800, 1900 and 2000.

Glass size: 660 x 1520 and 760 x 1520 mm. The door for the B-side of 805 mm has a glass size of 670 x 1520 mm plus profiles of 25 mm on each side.

LARGE GLASS DOOR

Measures (mm)	Available for B-side measures	Available for A/C-side measures	Door painted in RAL 9003 structure (Aritco white) ²⁾	Tinted glass (JT16), standard ³⁾
800 x 1800 ¹⁾	805	-	✓	✓
800 x 1900 ¹⁾	805	-	✓	✓
800 x 2000	805	-	✓	✓
900 x 1800 ¹⁾	-	1080	✓	✓
900 x 1900 ¹⁾	-	1080	✓	✓
900 x 2000	-	1080	✓	✓

¹⁾ Not available on top floor.

²⁾ The door can be painted in option RAL colour at additional cost.

³⁾ The glass is available as clear glass (JT0), dark tint (JT5) or frosted glass JT (23) at additional cost.



DOUBLE-HINGED GLASS DOORS

The double-hinged glass doors are available with different types of glass. Tinted (JT16) is standard but there is also the option of frosted or clear glass and dark tinted. Profiles around the glass are RAL 9007. Door height: 2000 mm. Door blade: 450 x 2000 mm/each. Available for platforms with B side of 805 mm.

Measures (mm)	Available for B side (mm)	Tinted glass (JT16) standard ¹⁾
800 X 2000	805	✓

¹⁾ Available in dark tint (JT5), frosted (JT23) or clear glass (JT0) at additional cost.



DOOR FRAME

The door frame in galvanized steel is painted in RAL 9003 (Aritco white) as standard but can be painted in any RAL colour of your choice at additional cost. A door frame is only available for the A- and C-side. On the B-side the door is mounted without a frame.

Door height (mm)	Frame width (mm)	Frame height (mm)
1800 ¹⁾	1160	2040
1900 ¹⁾	1160	2140
2000	1160	2240

¹⁾ Not on top floor.

Door options

DOOR HANDLE

Follows the standard prEN 81-41

Ø: 30-45 mm

Distance between door and door handle: minimum 35 mm

- Anodised aluminium; easy to clean and keep clean: no finger prints.
- Stainless steel



KEY SWITCH

A key is needed to access the lift. Can be used to both call and send the lift. Includes school locking function which automatically locks the door when it closes. Two brands to choose from:

- ASSA (Nordic markets only). Aritco does not deliver the locking cylinder but only the housing.
- Telemecanique (3-ways, retractive)

Aritco can provide one key switch per door. The key switch can be serial connected to the emergency stop or to one or more buttons.



ASSA



Telemecanique

DOOR FACEPLATE

The door faceplate can hold

- Call button
- Key switch *Telemecanique*, *ASSA*
- Call button & sensor
- Call button and key switch *Telemecanique*, *ASSA*

The faceplate in stainless steel gives the lift a more stylish impression, especially when combined with the stainless steel door handles. Possibility to place it at a distance from the lift.

- Aluminium (standard)
- Stainless steel.

Size: 95 x 185 mm

On request an individual logotype can be screened on the faceplate.



ASSA



Telemecanique

Faceplate box alternatives	Call button	Key switch ¹⁾	Call button & sensor	Call button and key switch ¹⁾
On door	✓	✓	✓	✓
In surface box	✓	✓	✓	✓
In inset box	✓	✓	✓	✓

¹⁾ ASSA, Telemecanique

EXTERNAL CALL STATION BOX

An externally placed call station box including cable is required for the B-side, since there is not enough space at the side of the door. The box can either be mounted exterior on a wall or flush mounted, next to the door or if needed on another wall as far as the length of the cable. The cable can be ordered in individual lengths.

Size: 95 x 185 x 50 mm



Aritco 4000 – door

CALL BUTTON

The call button comes with a background lit frame which indicates the status of the lift.

- Green light indicates that the lift is at your floor. Lights only on the floor where the platform is at the moment.
- Red light indicates that the lift is occupied. It is busy and you cannot call for it.
- The flashing light indicates that the security circuit is broken, e.g. that the emergency button is pressed, the door is open on another floor for more than one minute, the door is blocked or the safety frame is pressed down. The flashing light can also be activated by a sum alarm, more information is then available in the service memory.



For the B-side, the call button is mounted in a white plastic box as standard, which is connected to the lift with a cable.

RADIO CONTROLLED CALL BUTTON

The radio controlled button, placed in a plastic box, gives the customer the freedom to place the call button wherever they would like but within 10 meters from the lift. The button will run on batteries and will provide remote controlled access to the lift.

- White plastic box



LANDING INDICATOR

Digital display positioned at the platform faceplate. The indicator can also be fitted with a voice announcer which is available in Danish, Dutch, English, Finnish, French, German, Norwegian, Polish and Swedish.

The landing indicator can also show information from the system.

- Warning if the batteries are low.
- A bell when the alarm button has been pressed.
- Number of starts and total run time since installation or since last reset.
- A weight symbol will appear if the lift is overloaded.
- "Fire" is shown when a fire alarm is activated in the building.



COVER PLATE

A plate that covers the hole where the door faceplate normally is placed.

The cover plate is always delivered in the same colour as the door frame. Standard is RAL 9003 structure.

Door MACHINERY

Please note that if the door on the B-side is installed close to a wall an internal door closer / opener is recommended in order to be able to open the door fully. Otherwise the arm could hit the wall.

DOOR OPENER INTERNAL

Opens and closes the doors automatically. It is built into the door which makes it invisible.
Available for both left- and right hinged doors.



DOOR OPENER EXTERNAL

Opens and closes the doors automatically for easier access.
Available for both left- and right hinged doors.



DOOR CLOSER INTERNAL

Standard equipment.
Closes the doors automatically. It is built into the door which makes it invisible.
Includes function to keep door open until the user manually closes the door.
Available for both left- and right hinged doors.



DOOR CLOSER EXTERNAL

Closes the door automatically.
Available for both left- and right hinged doors.



HOLD OPEN ARM FOR EXTERNAL DOOR CLOSER

Keeps the door open until the user manually closes the door.
Can only be combined with external door closer.



Shaft

The shaft is the vertical enclosed space that forms the walls of the lift. Width and depth is accommodated to lift specifications. The 25 mm thick shaft panels are made of non-flammable stone wool and galvanised steel. Three sides of the lift can be fitted with glass panels. The glass is available in different tints. Standard is tinted glass (JT16) but can also be ordered in a darker tint (JT5) frosted (JT23) and clear glass (JT0) at additional cost.

SHAFT PANELS / STEEL

Height (mm)	Painted in RAL 9003 structure, standard	Painted in optional RAL colour
575	✓	✓

SHAFT PANELS / GLASS WITH ALUMINIUM PROFILE

Height (mm)	Clear glass (JT0)	Dark tinted glass (JT5)	Tinted glass (JT16)	Frosted glass (JT23)
736	✓	✓	✓	✓
1472	-	-	✓	-
2208	-	-	✓	-
Customized ¹⁾	✓	✓	✓	✓

¹⁾ Additional cost per mm. Maximum height per glass panel is 2500 mm

Shaft OPTIONS

SHAFT SUPPORT BRACKET

Installed around the shaft in order to stabilize it when not mounted against a wall. One shaft support bracket shall be used per floor, except the bottom floor. The bracket is painted in same RAL colour as the shaft panels. Available in one size.

MACHINE SIDE CLADDING

The machine side cladding covers the backside of the machine side if the lift is not installed against a wall. The cladding can run from bottom to top height, but can also be ordered partly if the lift is mounted to a wall. Size: Travel height plus top height. Painted in same colour as shaft panels.

Size	Painted in RAL colour
Complete	✓
Partly (in mm)	✓

INNER CEILING

Painted in same colour as shaft walls.
– LED illumination. Complies with LUX regulation

MAST

For lengths 4500 - 13000 the frame is always delivered in parts

For lengths 2500 - 4499 the frame can be delivered in parts if required.

The smallest possible length in order to split up a mast is 4660 mm (travel height 3400 mm).

Mast size (mm)	Number of parts	Length of each part (mm)
4660 – 6240	2	3750
6240 – 8730	2	4990
8730 – 12480	3	4990
> 12480	3	4990 ¹⁾

¹⁾ Plus loose guides.

ELECTRICAL CABINET

The cabinet is mounted behind the platform panel and in the top of the shaft.

Can not be reached from outside the lift.

EXTERNAL SERVICE PANEL

Standard equipment. Used to run system tests etc., and for emergency running the lift. The service panel is mounted in the top part of the shaft and can not be reached from the outside. Therefore it is connected to a remote service panel which is mounted in a faceplate box, since it must be possible to reach it from outside.

The service panel must be activated with a 3 edge key before it can be used.

Size: 95 x 185 mm



Communication

PHONE

The telephone works as a standard telephone but is intended for emergency calls. The phone is mounted on the platform panel. Equipped with redial memory, mute button and a lamp indicator for on/off. Can be equipped with a GSM module. Aritco does not supply SIM cards.



PHONE SOCKET

Swedish standard socket to connect your own telephone.



AUTODIALER - SAFELINE MX

Equipment for emergency calls. Integrated on the platform panel. Can be programmed with up to four numbers. Dials automatically when the alarm button is pressed. When unanswered after a predefined time, the call is automatically escalated to the next number. The autodialer can be equipped with a GSM module. Aritco does not supply SIM cards.



EXTERNAL ALARM SOUNDER

Loud signal to attract attention in case of emergency. The alarm sounder is mounted outside the lift. Activates when the alarm button is pressed.



ARRIVAL GONG

An audible signal when the platform arrives at each landing



REMOTE CONTROL

Radio controlled remote control with a range up to 25 meter. The remote control can be used either to run the platform or to activate the call button. The latter can for example be used by a receptionist who allows the use of the lift.

The remote control can include up to 6 buttons with the text 1-6.

If the remote control is used to run the lift it must be connected to the platform buttons.

Number of receivers

Activating a call button: One receiver per button

Operation of platform: One receiver per two floors

Radio covers up to 6 floors.



Miscellaneous

BATTERY OPERATED EMERGENCY LOWERING

Standard equipment, mounted on top floor in the shaft.



AUTOMATIC LUBRICATION

Oils the driving screw at regulated time intervals even if the lift is not in use.
Standard equipment.





Inspired in design, comfort and simplicity, the 2000 series lifts offer a range of extraordinary possibilities. We combine creativity, technical know-how and professional commitment for an exceptional construction and lifelong durability. All of our platform lifts comply with European standards and regulations.

Aritco 2000 series lift rises up to 3 meters, commonly located at the inside entrance of public buildings like banks, city halls, schools and hospitals. The lift comes in a bright grey colour, with a number of technical options to choose from. It can be provided with a key system to prevent unauthorised use. Installation requires just a few days.

Platform

The platform is the floor of the lift and is in its basic execution delivered with a side wall (half height) including the control panel. The platform is prepared for adding a ramp.

SPECIFICATIONS

Platform size A/C x B (mm)	Travel height (mm)	Speed, max (m/s)	Max load (kg)	Painted in RAL 9007 structure ¹⁾
950 x 1400	250 – 3000	0,15	350	✓

¹⁾ Can be painted in optional RAL colour

OPTIONS

PLATFORM FACEPLATE

The faceplate contains the destination buttons, emergency stop, alarm button, safeline (option), company logo, max weight and number of persons allowed. User instructions are available in following languages: Catalan, Czech, Danish, Dutch, English, Finnish, French, German, Greek, Hungarian, Icelandic, Lithuanian, Norwegian, Polish, Portuguese, Russian, Spanish, Swedish and Turkish.

All text and logos are screened to ensure good quality.

On request an individual logo can be screened on the faceplate.

- Aluminium
- Stainless steel



FACEPLATE PANEL

The faceplate panel in welded brushed aluminium gives a soft finish to the platform.

To prevent any trapping, a security list is mounted behind the faceplate panel which cuts off the security circuit when pressed down.



RAMP

For easier access to the platform.

Standard equipment.



KEY SWITCH

Locks the platform functions and prohibits unauthorized use. Mandatory for public sites.

Two brands to choose from:

- ASSA (Nordic markets only). Aritco does not deliver the locking cylinder but only the housing.
- Telemecanique (2-ways, not retractive)

Aritco can provide one key switch per platform. The key switch can be serial connected to the emergency stop or to one or more buttons.



ASSA

Telemecanique

Aritco 2000 – platform

HANDRAIL

The handrail is mandatory according to the EN 81-41 standard.

- Aluminium
- Stainless steel



DESTINATION BUTTON

Mushroom head push button in black.

A sticker with an arrow indicating up or down is placed next to the button.



LANDING INDICATOR

Digital display positioned at the platform faceplate. The indicator can also be fitted with a voice announcer which is available in Danish, Dutch, English, Finnish, French, German, Norwegian, Polish and Swedish.

The landing indicator can also show information from the system.

- Warning if the batteries are low.
- A bell when the alarm button has been pressed.
- Number of starts and total run time since installation or since last reset.
- A weight symbol will appear if the lift is overloaded.
- “Fire” is shown when a fire alarm is activated in the building.



FLOORING

Vinyl, rubber, aluminium or simply no flooring at all. Choose between 9 different colours:



5710 - Grey



5660 - Blue



5620 - Beige



5630 - Sand



3280 - Classic Beech



3340 - European Oak



Aluminium



Black rubber



Blue rubber

The platform is prepared for other types of floors with maximum thickness of 3 mm without any modifications.

Door

The B-lift lift door is made of toughened, clear laminated safety Plexiglas, 4 mm.

All doors can be left- or right hinged. The door on the platform can be placed either on A- or C-side.

The other door is fixed on the top floor on the opposite side of the platform door.

HALF HEIGHT DOOR

Measures (mm)	Glass
900 x 1100	✓

Door OPTIONS

DOOR OPENER EXTERNAL

Opens and closes the doors automatically for easier access.

DOOR CLOSER EXTERNAL

Standard equipment.

Closes the door automatically.

KEY SWITCH

When you want to have a key in order to access the lift. Includes school locking function which automatically locks the door when it closes. Mandatory in public sites. Two brands to choose from:

- ASSA (Nordic markets only). Aritco does not deliver the locking cylinder but only the housing.
- Telemecanique (2 ways, retractive)

Aritco can provide one key switch per door. The key switch can be serial connected to the emergency stop or to one or more buttons.



ASSA



Telemecanique

EXTERNAL CALL STATION BOX

Comes as standard in RAL 9003 (Aritco white). The box can either be mounted exterior on wall or flush mounted, next to the door or if needed on another wall as far as the length of the delivered cable which is 1.5 m.

Size: 95 x 185 x 50 mm



Aritco 2000 – door

DOOR FACEPLATE

The door faceplate can hold

- Call button
- Key switch Telemecanique, ASSA
- Call button & sensor
- Call button and key switch Telemecanique, ASSA

The faceplate in stainless steel gives the lift a more stylish impression, especially when combined with the stainless steel door handles. Possibility to place it at a distance from the lift.

- Aluminium (standard)
- Stainless steel.

Size: 95 x 185 mm

On request an individual logotype can be screened on the faceplate.



ASSA

Telemecanique

Faceplate box alternatives	Call button	Key switch ¹⁾	Call button & sensor	Call button and key switch ¹⁾
On door	✓	✓	✓	✓
In surface box	✓	✓	✓	✓
In inset box	✓	✓	✓	✓

¹⁾ ASSA, Telemecanique

CALL BUTTON

The call button must be mounted on an external faceplate box.

The call button comes with a background lit frame which indicates the status of the lift.

- Green light indicates that the lift is at your floor.
- Red light indicates that the lift is occupied. It is busy and you cannot call for it.
- The flashing light indicates that the security circuit is broken, e.g. that the emergency button is pressed, the door is open on another floor for more than one minute, the door is blocked or the safety frame is pressed down. The flashing light can also be activated by a sum alarm, more information is then available in the service memory.



RADIO CONTROLLED CALL BUTTON

The radio controlled button, placed in a plastic box, gives the customer the freedom to place the call button wherever they would like but within 10 meters from the lift. The button will run on batteries and will provide remote controlled access to the lift.

- White plastic box



Shaft

For the B-lift series there is no shaft in the sense of an enclosed area. The platform moves along one shaft panel which covers the machine and a shaft wall on the opposite side of the door. The bottom panel is removable for servicing. Must be opened with tools. The 25 mm thick shaft panels are made of non-flammable material (not styrofoam).

MACHINE SIDE CLADDING

The machine side cladding in galvanised steel covers the backside of the machine side if the lift is not mounted against a wall. The cladding can run from bottom to top height, but can also be ordered partly if the lift is partly mounted to a wall. The cladding is painted in same colour as shaft panels.

Size: Travel height plus top height.

Size	Painted in RAL colour ¹⁾
Complete	✓
Partly (in mm)	✓

¹⁾ Same colour as the shaft panel. Standard RAL 9007.

EXTERNAL SERVICE PANEL

Used to run system tests etc., and for emergency running the lift.

Size: 95 x 185 mm

A remote service panel is available for mounting outside the lift. In this case a wire connects it from the service panel.



ELECTRICAL CABINET

The position of the electrical cabinet is on the ground level where the door is located.

The service panel is placed in the electrical cabinet and is used to run tests etc.; and for emergency running the lift.

Size: 180 x 800 mm



Communication

PHONE

The telephone works as a standard telephone but is intended for emergency calls. The phone is mounted on the platform panel. Equipped with redial memory, mute button and a lamp indicator for on/off. Can be equipped with a GSM module. Aritco does not supply SIM cards.



PHONE SOCKET

Swedish standard socket to connect your own telephone.



AUTODIALER - SAFELINE MX

Equipment for emergency calls. Integrated on the platform panel. Can be programmed with up to four numbers. Dials automatically when the alarm button is pressed. When unanswered after a predefined time, the call is automatically escalated to the next number. The autodialer can be equipped with a GSM module. Aritco does not supply SIM cards.



EXTERNAL ALARM SOUNDER

Loud signal to attract attention in case of emergency. The alarm sounder is mounted outside the lift. Activates when the alarm button is pressed.



ARRIVAL GONG

An audible signal when the platform arrives at each landing



REMOTE CONTROL

Radio controlled remote control with a range up to 25 meter. The remote control can be used either to run the platform or to activate the call button. The latter can for example be used by a receptionist who allows the use of the lift.

The remote control can include up to 6 buttons with the text 1-6. If the remote control is used to run the lift it must be connected to the platform buttons.

Number of receivers

Activating a call button: One receiver per button
Operation of platform: One receiver per two floors

Radio covers up to 6 floors.



Miscellaneous

BATTERY OPERATED EMERGENCY LOWERING

Secures a safe travel to the nearest landing in case of power failure.
Standard equipment.



AUTOMATIC LUBRICATION

Oils the driving screw at regulated time intervals even if the lift is not in use.
Standard equipment.



Glass panels



Clear glass



Clear glass visibility



JT16



JT16 visibility



JT5 visibility



JT23 visibility

Order information

Your order can be packaged for:

- Trailer
- Boat in container
- Boat in crate
- Air freight

Storage cost will be charged due to:

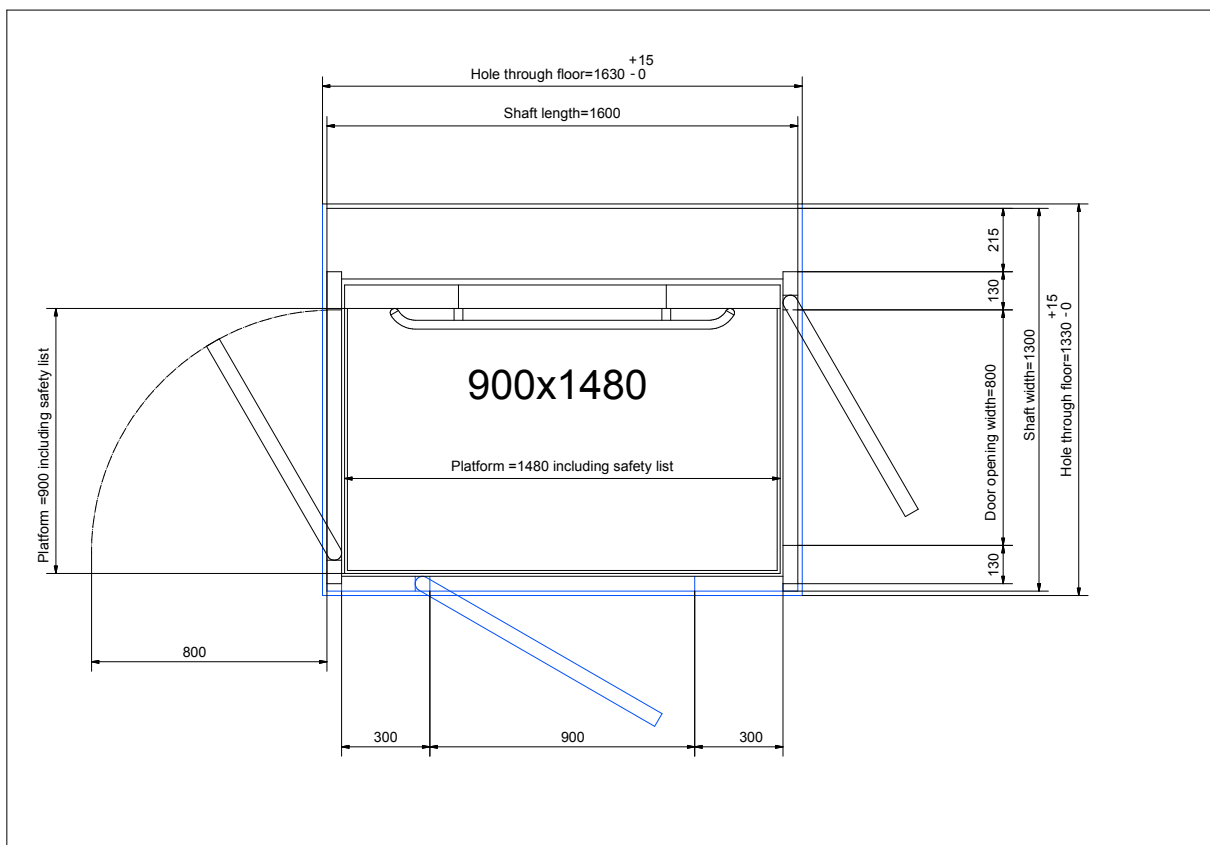
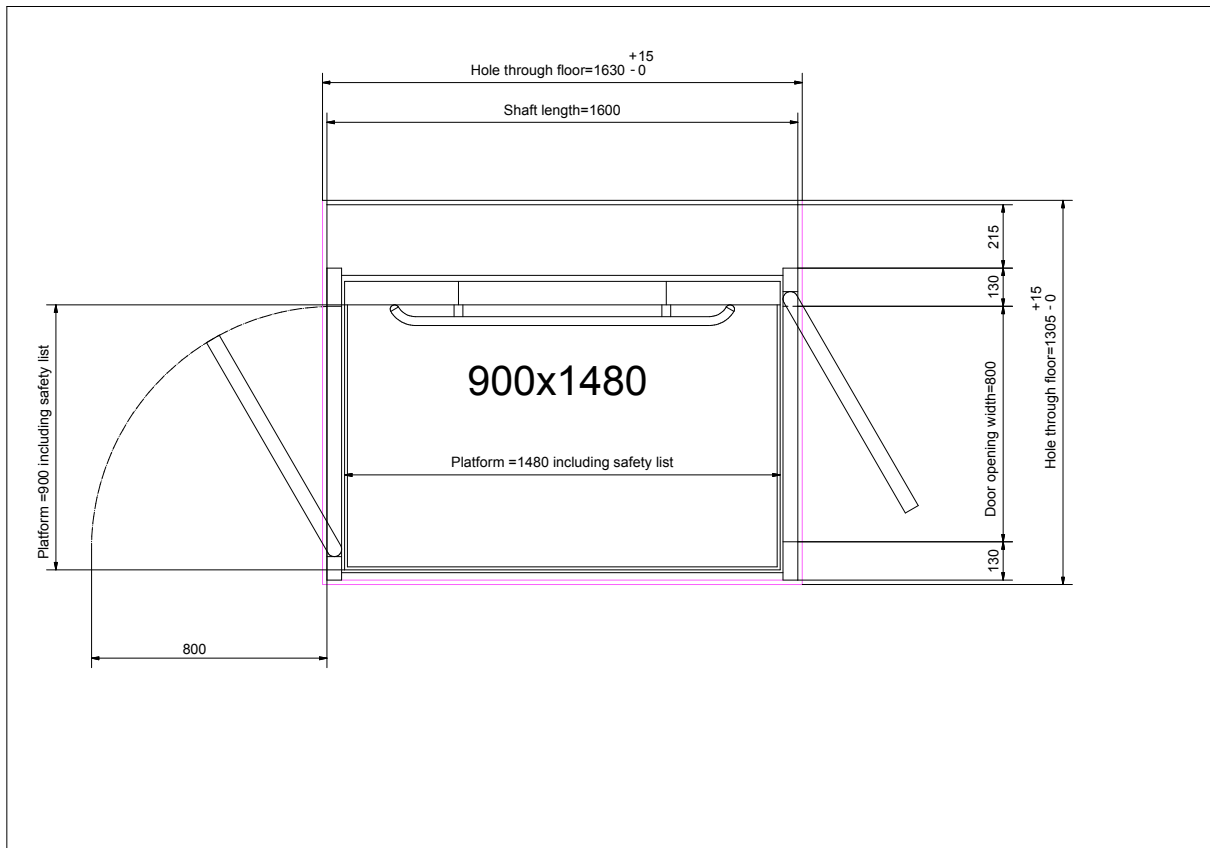
- Transportation or delayed installation.
- Unsettled payments.

Costs will be charged for:

- Cancellation of submitted order - Basic.
- Cancellation of submitted order - Advanced
(Later than 2 weeks prior to shipment week) - price for parts may apply.
- Express production - shipment earlier than confirmed week - additional costs may apply.

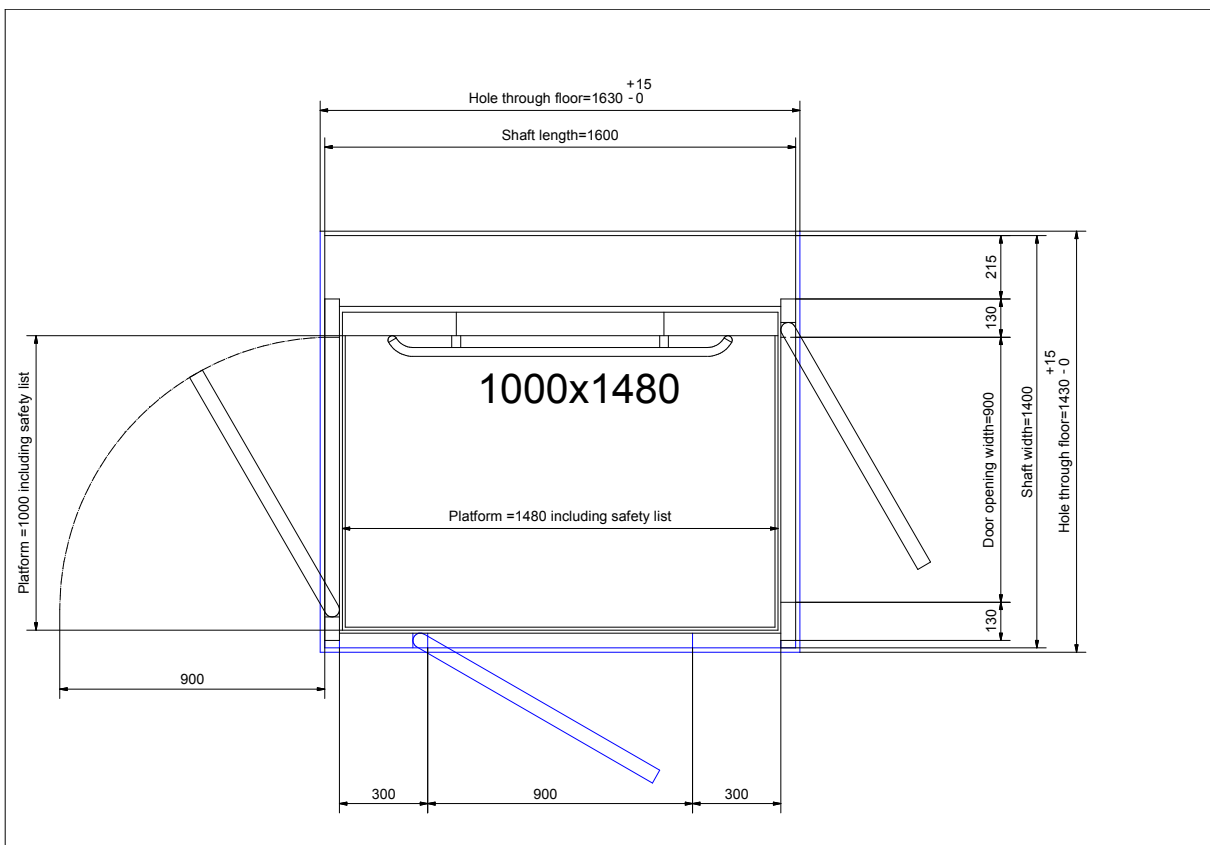
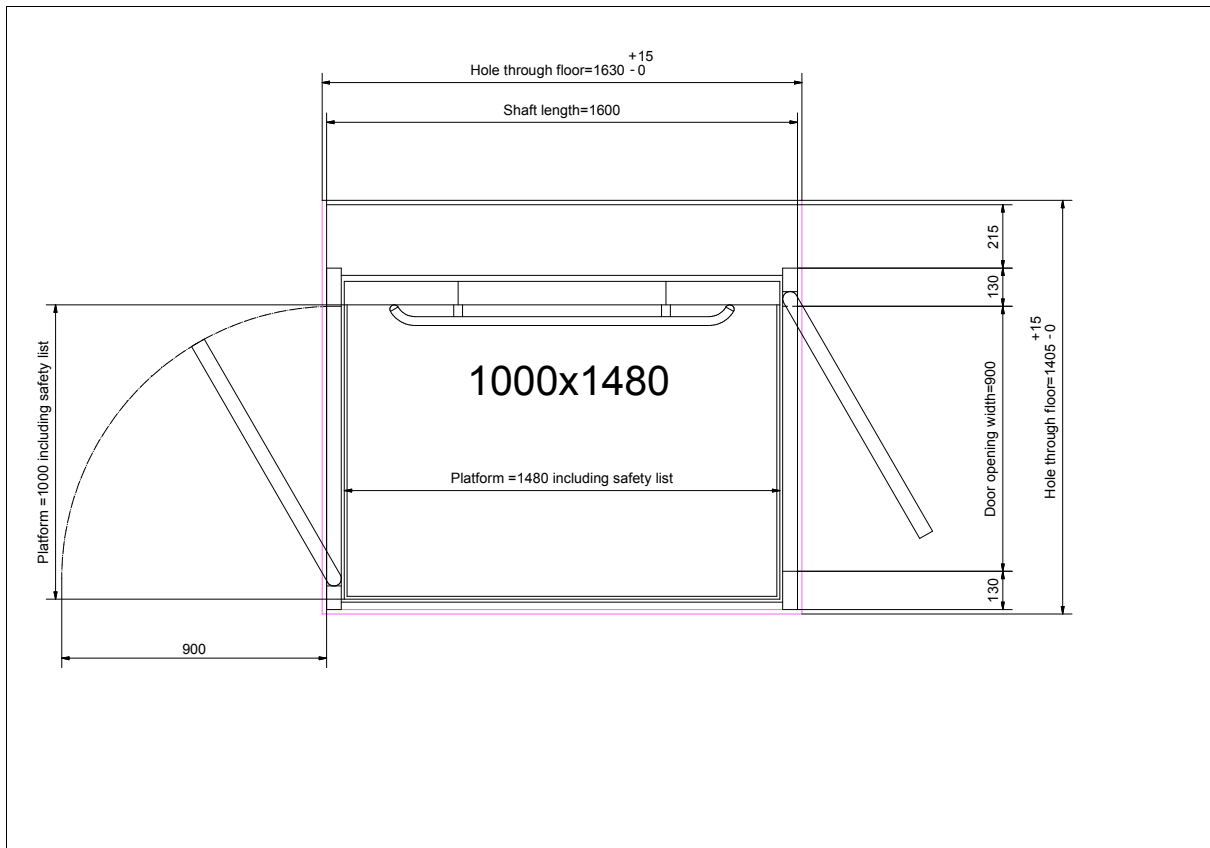
Platform measurements

PLATFORM 900 X 1480

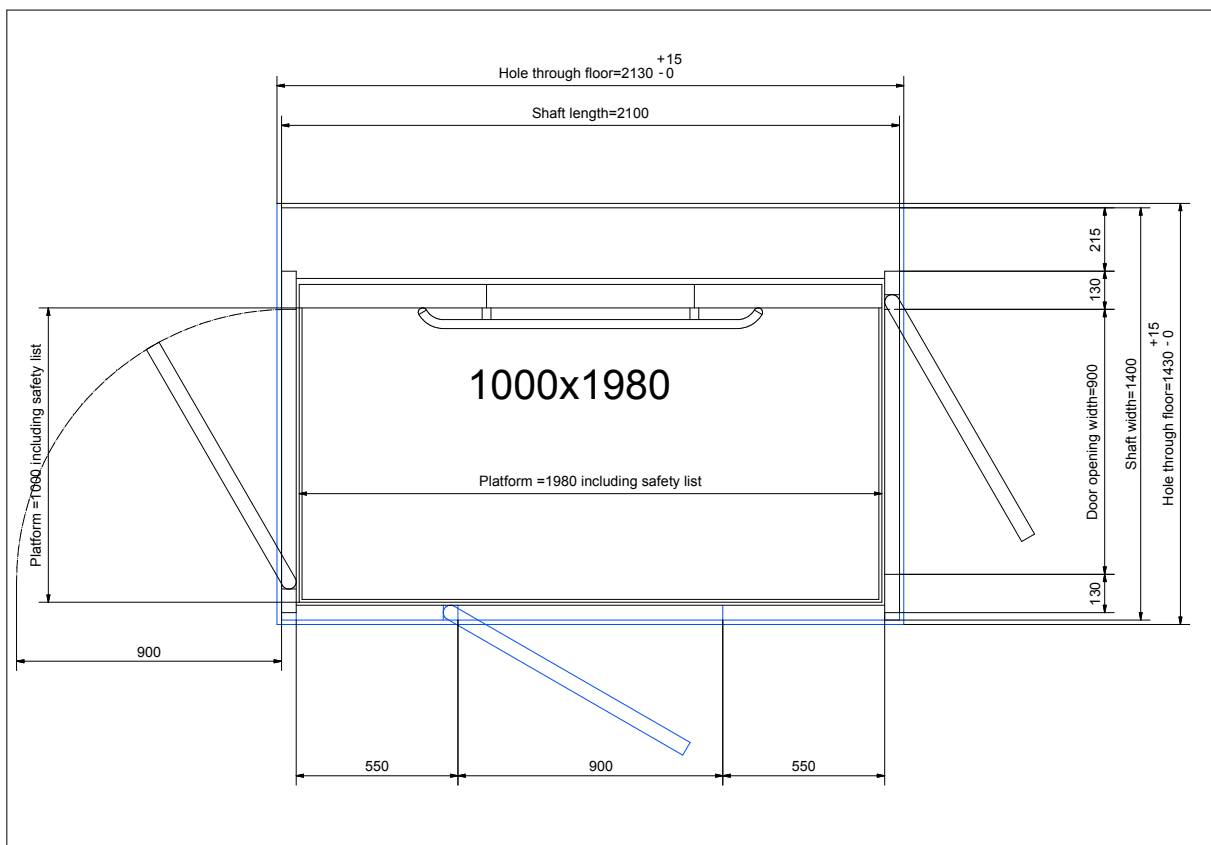
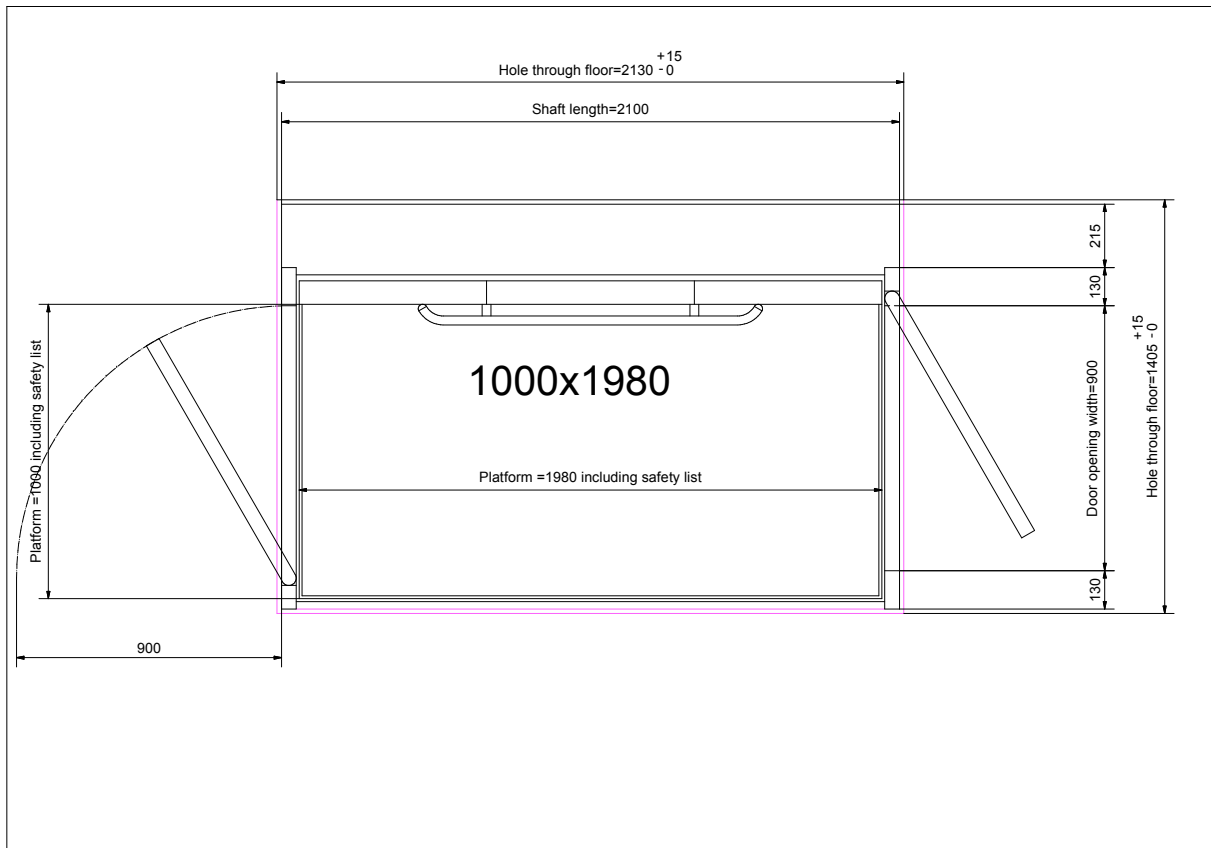


Platform measurements

PLATFORM 1000 X 1480

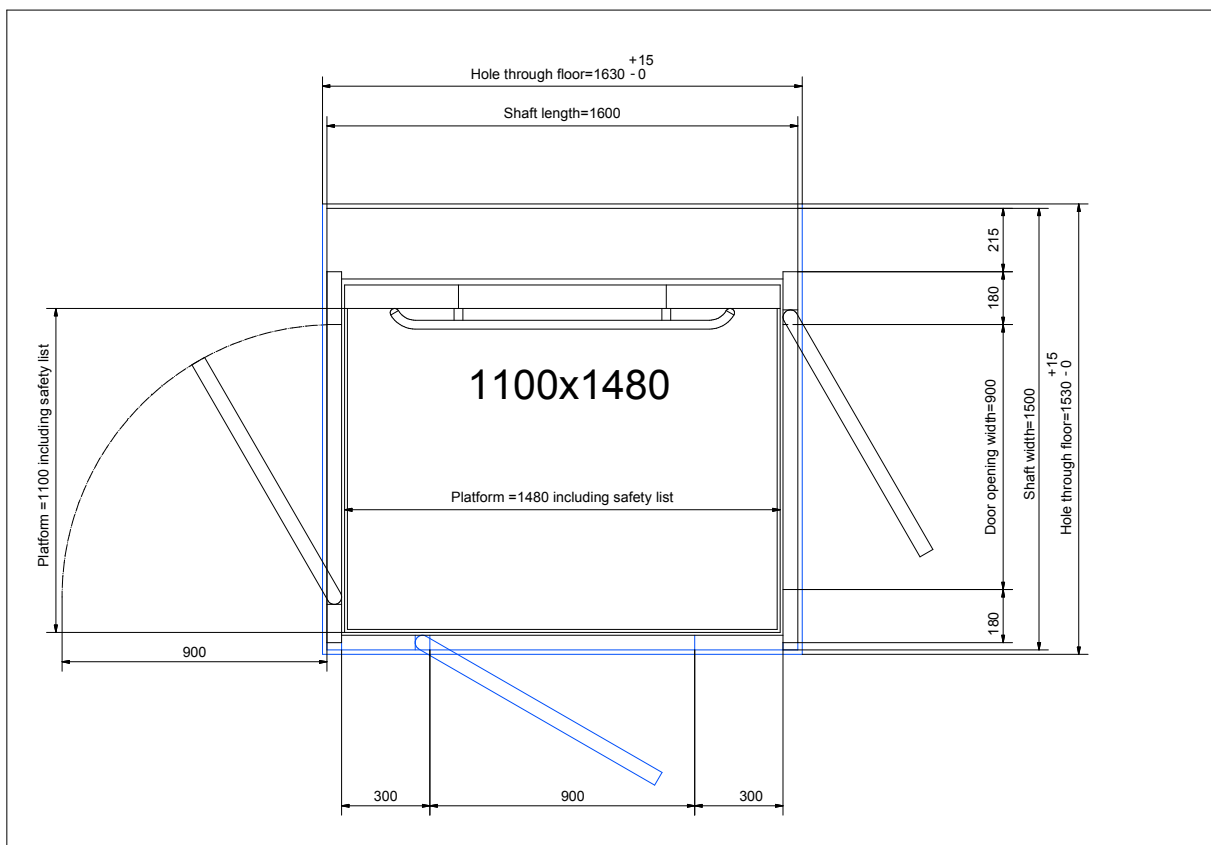
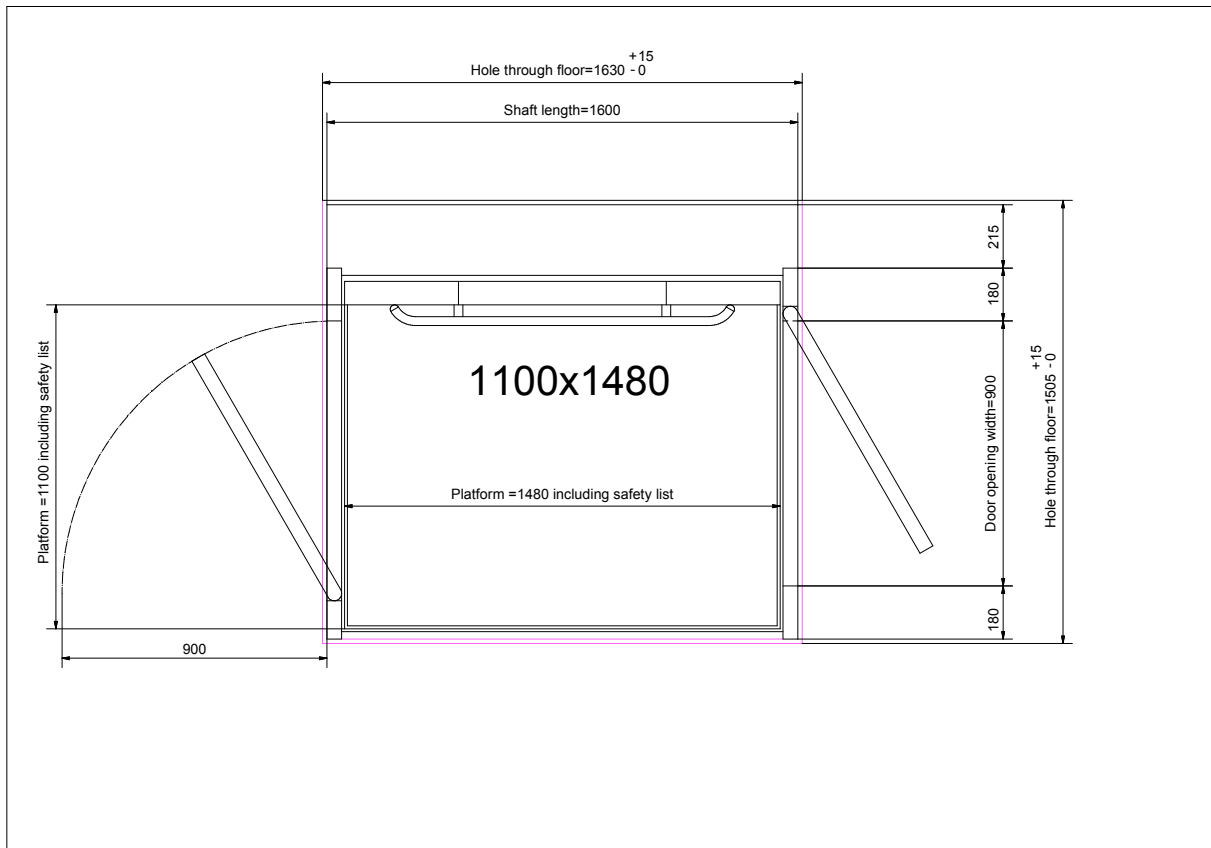


PLATFORM 1000 X 1980

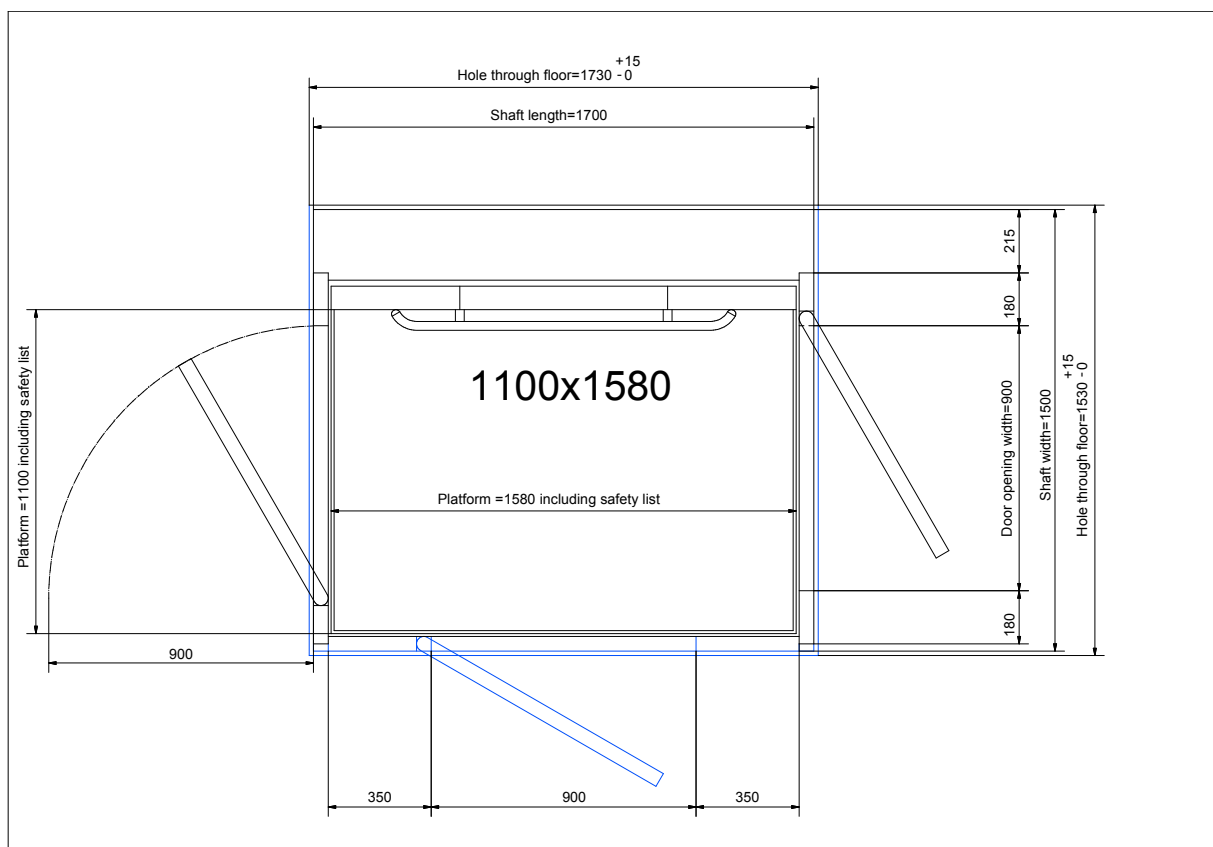
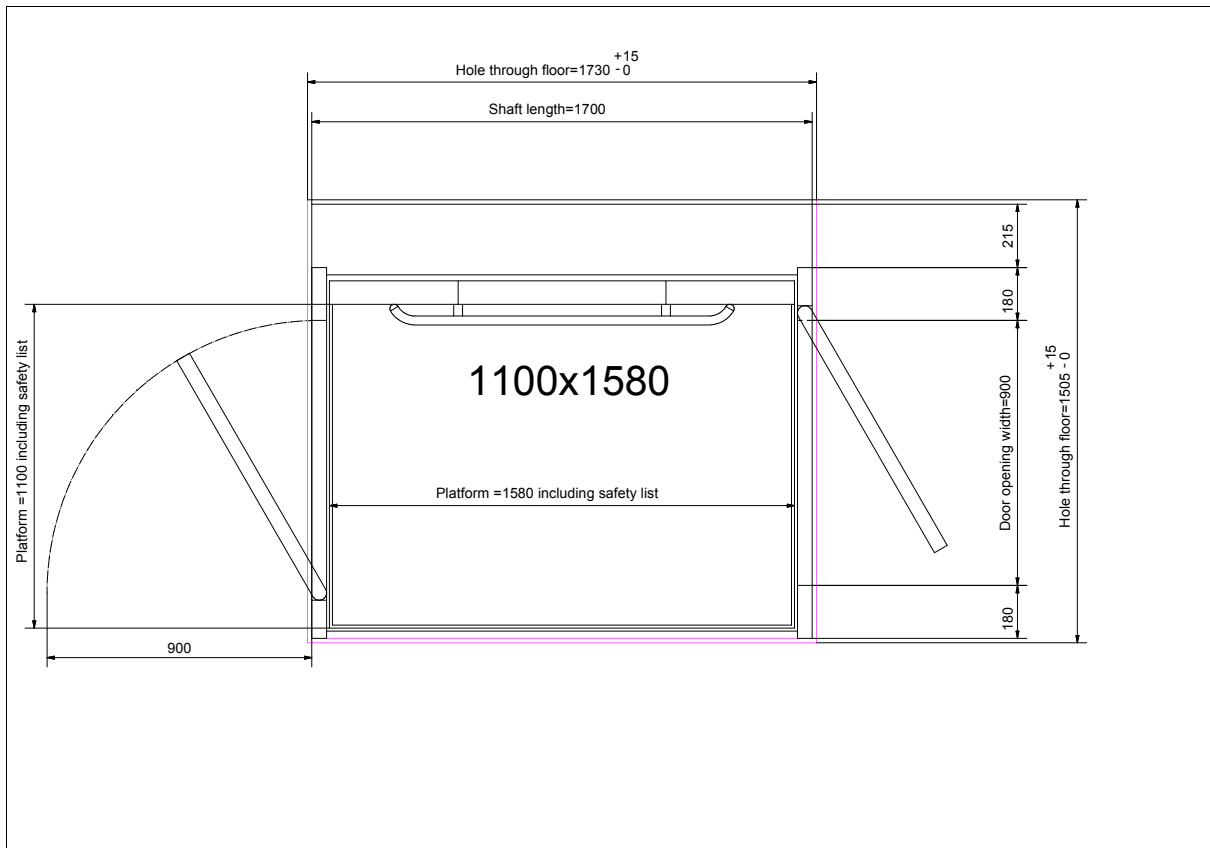


Platform measurements

PLATFORM 1100 X 1480

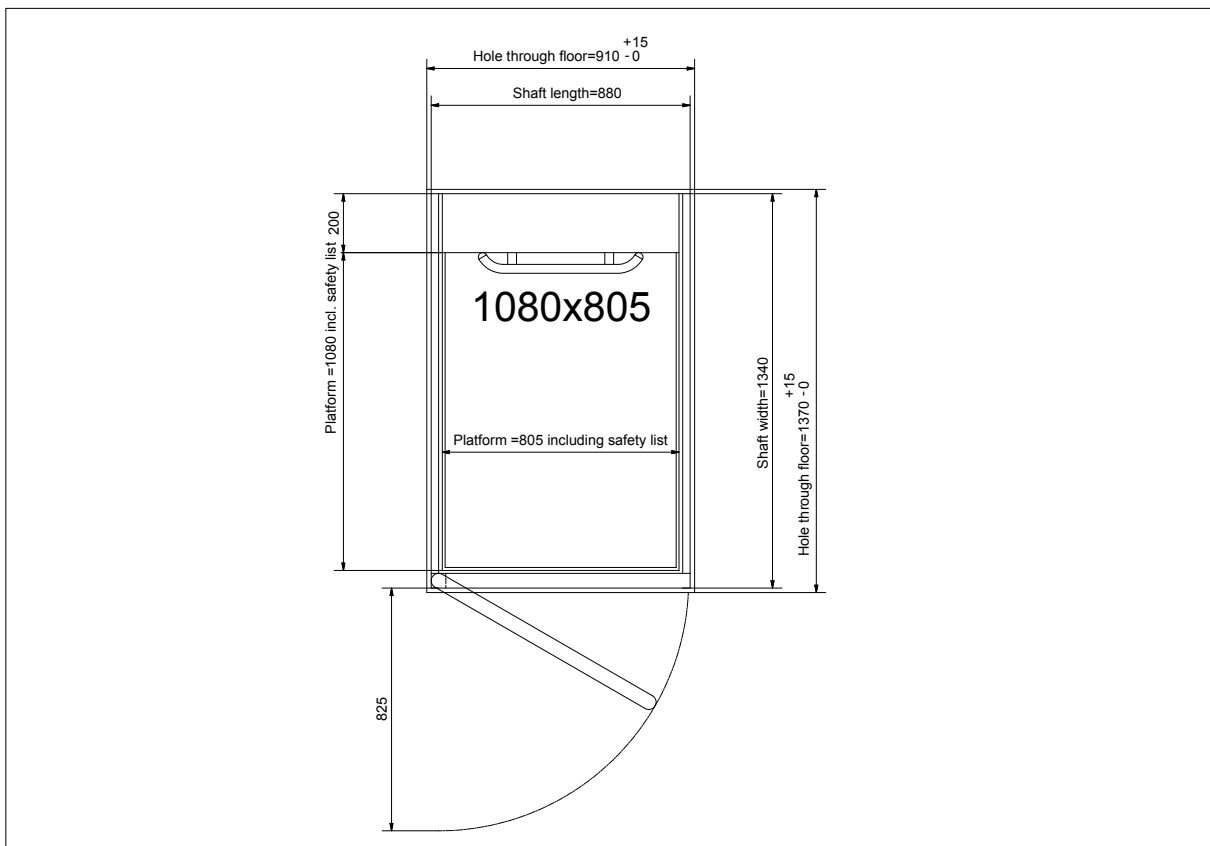
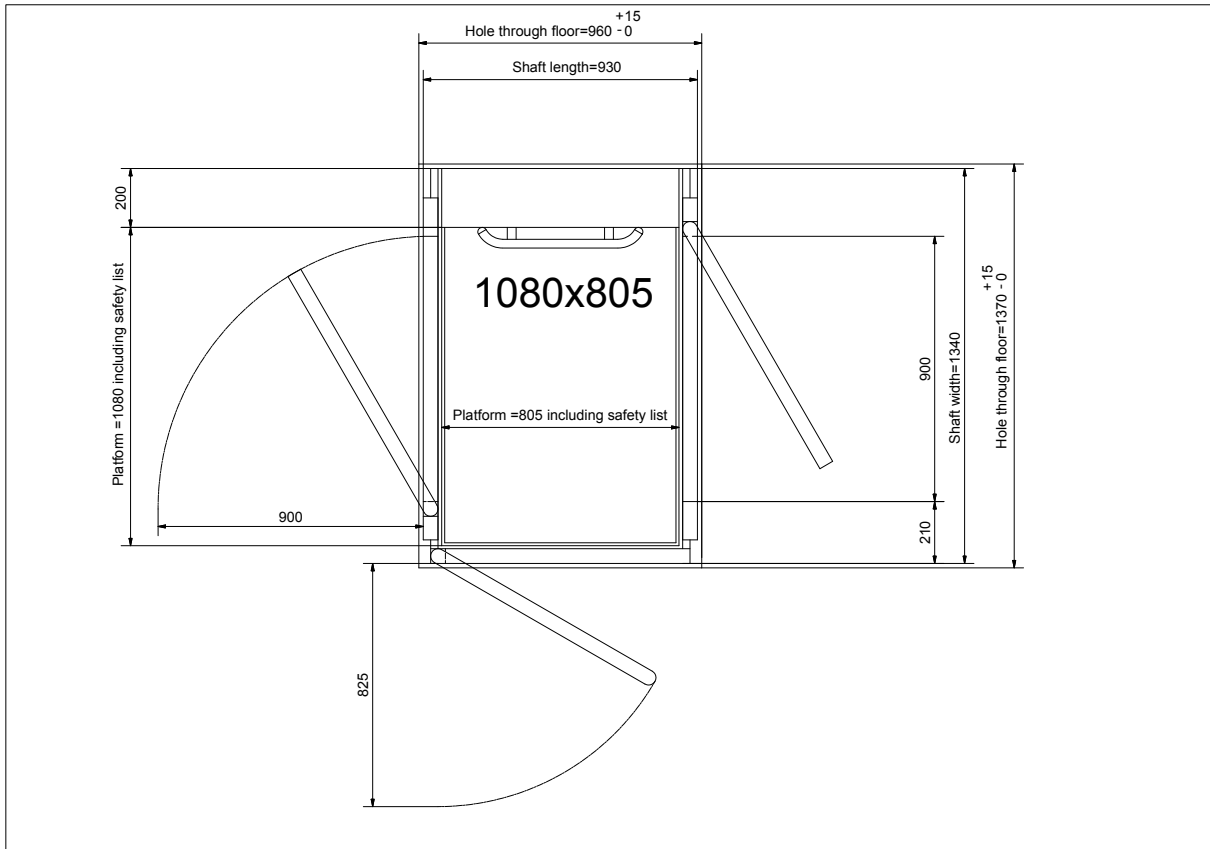


PLATFORM 1100 X 1580

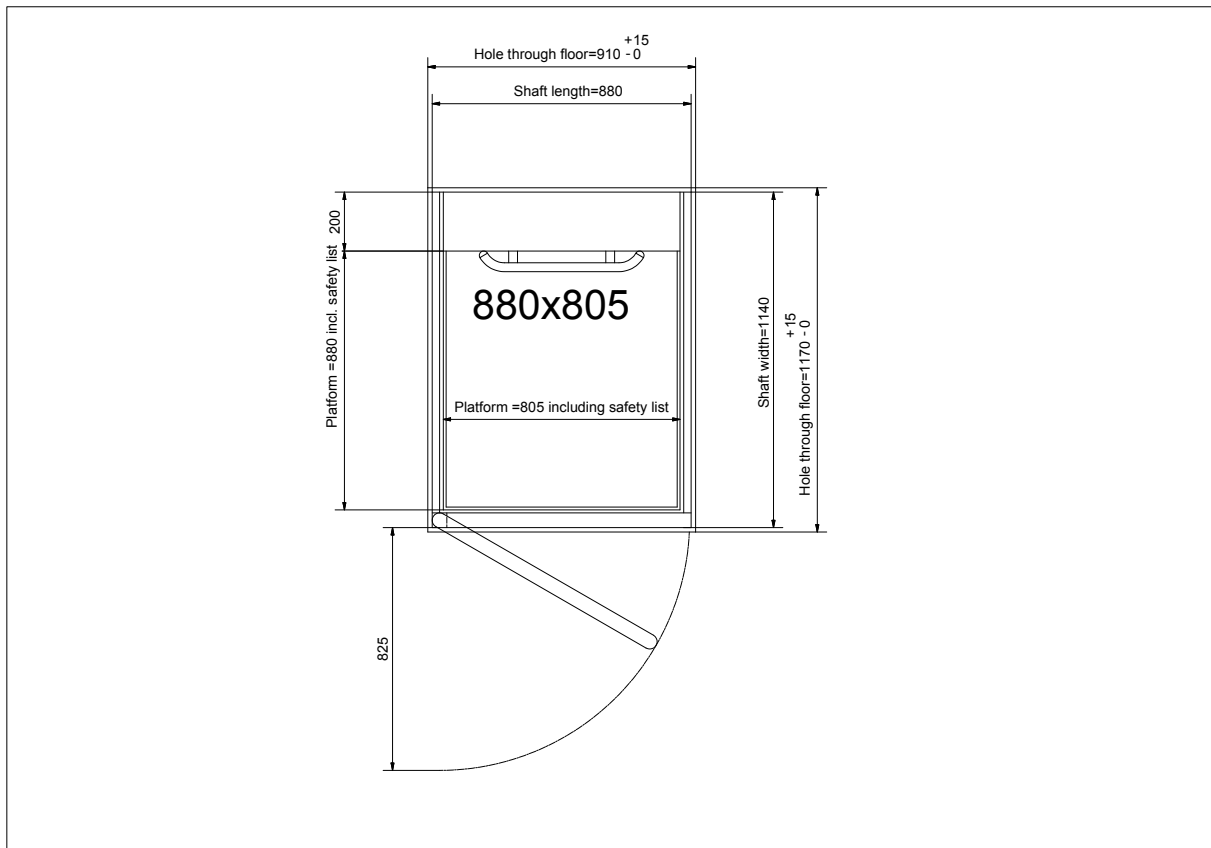


Platform measurements 4000

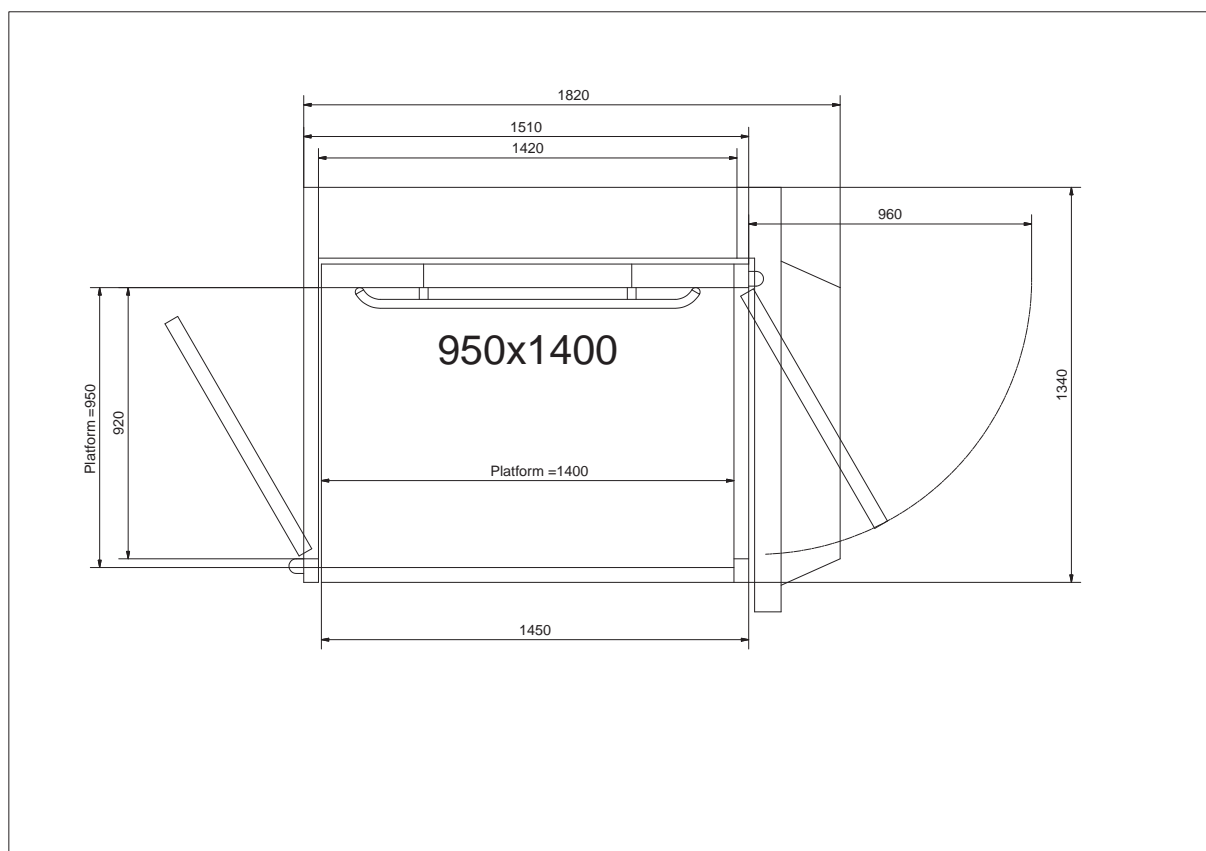
PLATFORM 1080 X 805



PLATFORM 880 X 805



PLATFORM 950 X 1400



If you need to contact Aritco, please note the following functions, people and coordinates:

SALES	John Löwbäck	john.lowback@aritco.se	+46 8 120 401 25
	Åsa Lovén	asa.loven@aritco.se	+46 8 120 401 04
	Martin Frid	martin.frid@aritco.se	+46 8 120 401 03
	Börje Fransson	borje.fransson@aritco.se	+46 8 120 401 02
	Peter Sälgsström	peter.salgstrom@aritco.se	+46 8 120 401 05
ORDER		orders@aritco.se	
SPARES & WARRANTIES	Staffan Ramstedt	spares@aritco.se	+46 8 120 401 06
TECHNICAL SUPPORT	Colin Eldridge	colin.eldridge@aritco.se	+46 8 120 401 07
PRODUCT MANAGEMENT	Petra Lind	petra.lind@aritco.se	+46 8 120 401 09

Aritco Lift AB
Energivägen 7
196 37 Kungsängen
SWEDEN

T: +46 8 120 401 00
F: +46 8 120 401 99
E: info@aritco.se

www.aritco.com